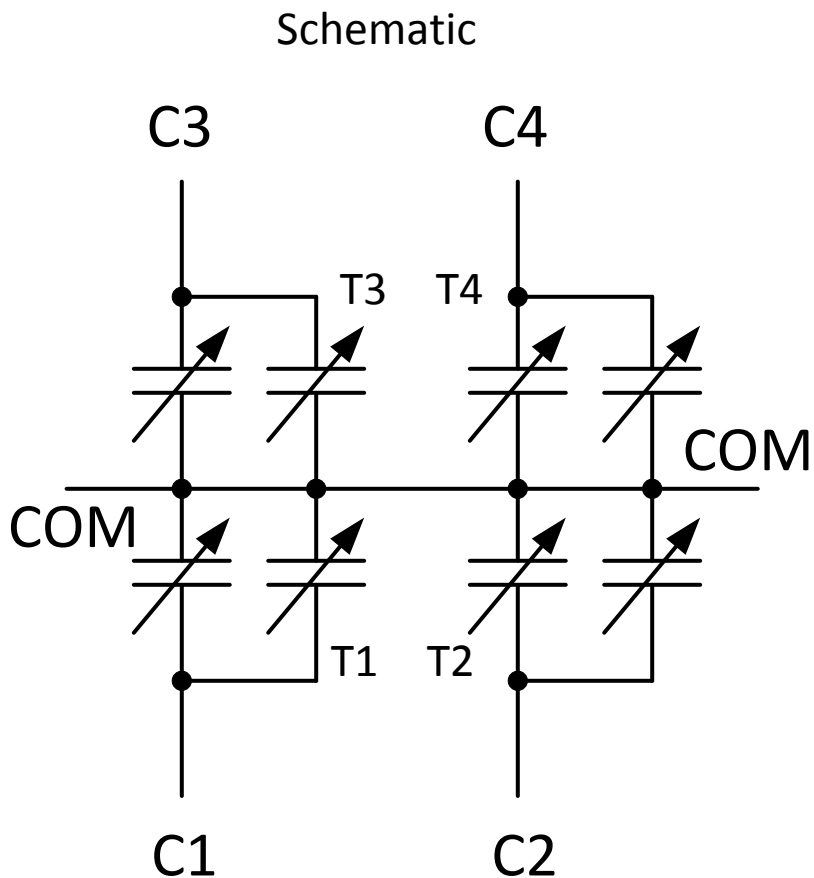
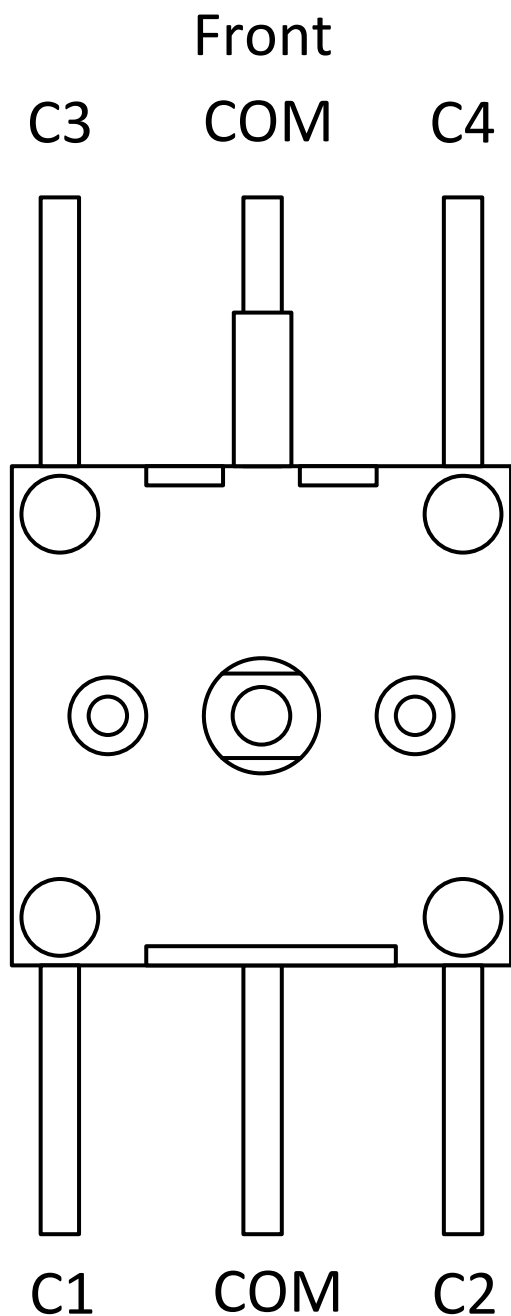


Variable Capacitor Pinout



C1 – 5pF to 135pF

T1 – 1pF to 10pF

C2 – 5pF to 135pF

T2 – 1pF to 10pF

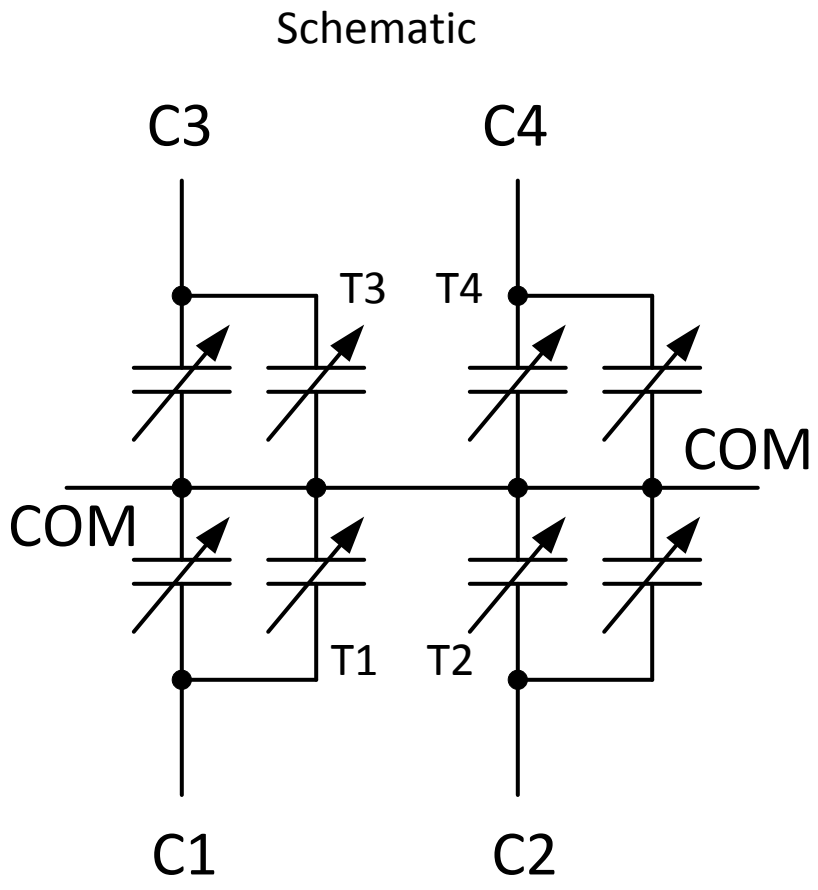
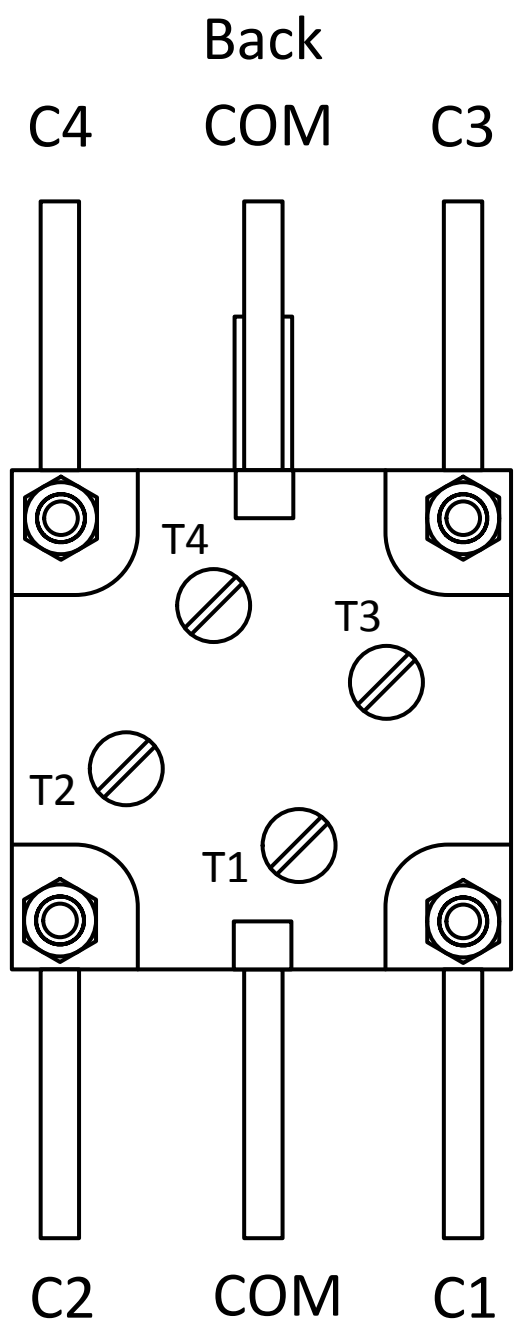
C3 – 5pF to 25pF

T3 – 1pF to 10pF

C4 – 5pF to 25pF

T4 – 1pF to 10pF

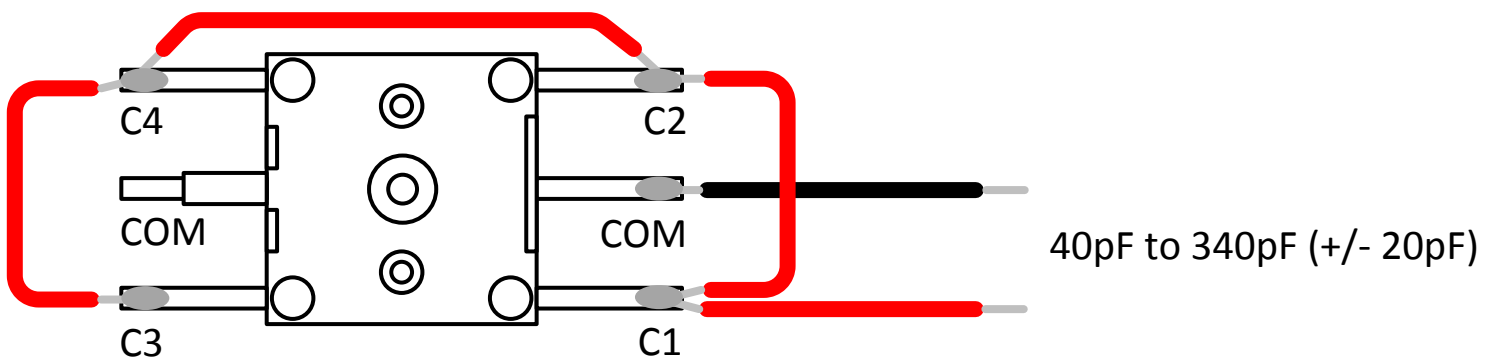
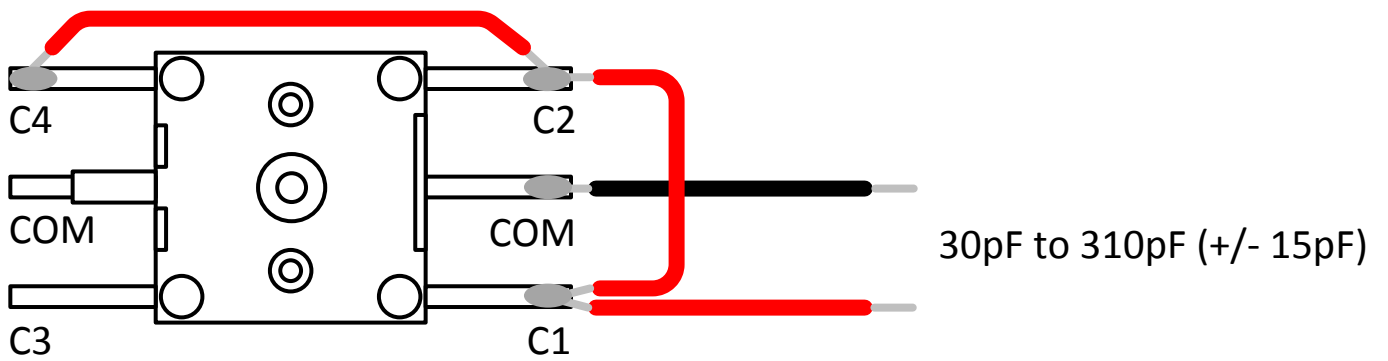
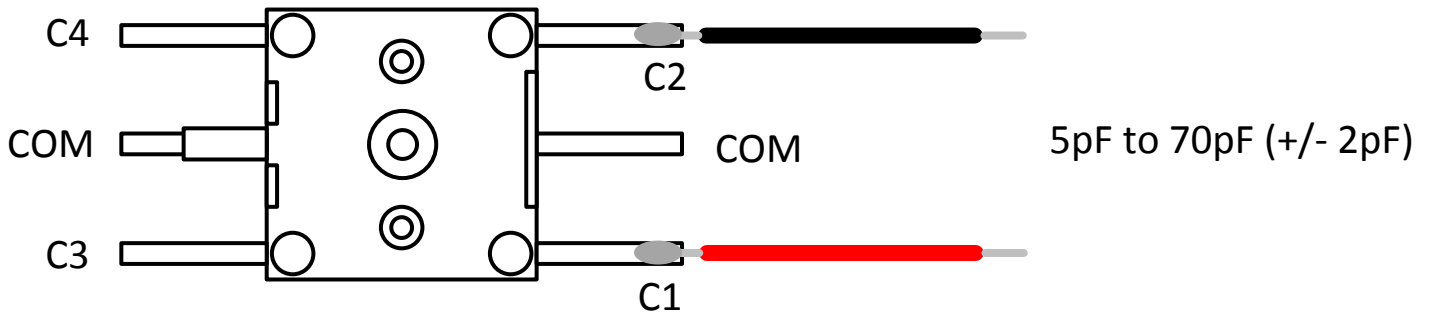
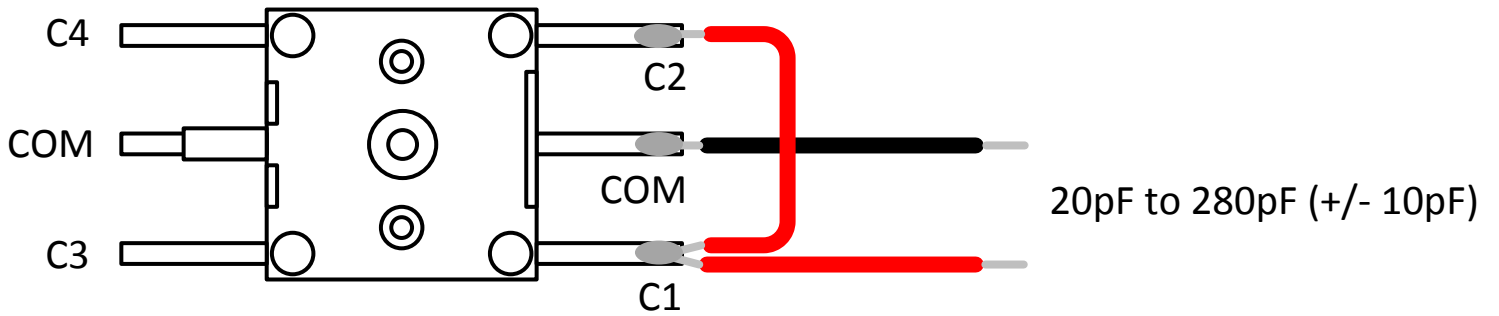
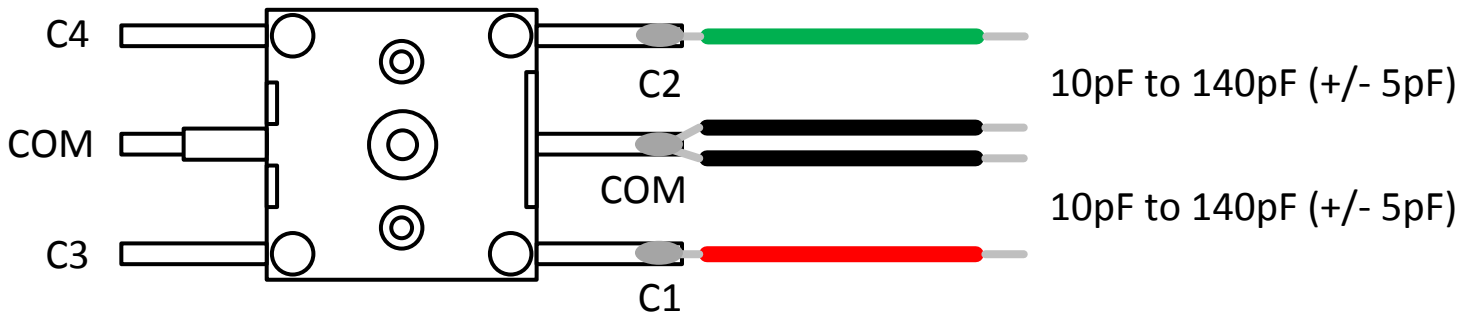
Variable Capacitor Pinout



C1 – 5pF to 135pF
 C2 – 5pF to 135pF
 C3 – 5pF to 25pF
 C4 – 5pF to 25pF

T1 – 1pF to 10pF
 T2 – 1pF to 10pF
 T3 – 1pF to 10pF
 T4 – 1pF to 10pF

Variable Capacitor Ranges



Variable Capacitor Ranges

